

# OPTILOCK™ SCOPE MOUNT RINGS FOR SAKO AND TIKKA RIFLES

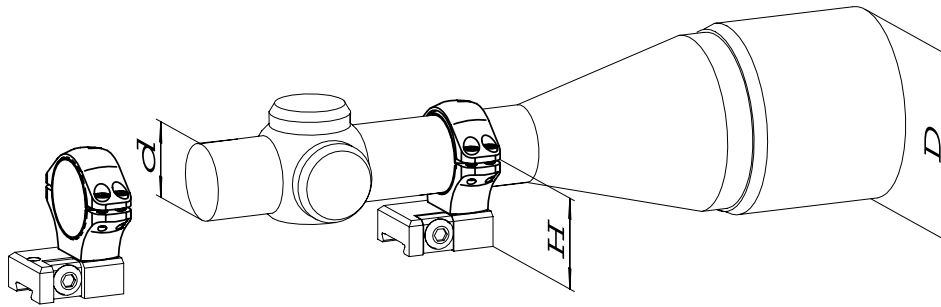
OPTILOCK™ scope mount rings and bases are precisely machined out of solid steel to ensure perfect mating with our integral receiver scope mount rails and optimal scope alignment.

OPTILOCK™ scope mount rings come clamshell-packed in pairs. Hex key included.

OPTILOCK™ scope mount rings are available in two diameters and four heights. Three lowest rings are also available in stainless steel.

OPTILOCK™ scope mount rings feature a patented spherical fastening ring which makes scope mounting considerably easier. This protective sleeve also ensures that the scope body will not be scratched or damaged during mounting.

Appropriate ring height for Sako and Tikka rifles can be determined with the help of the following chart. The maximum scope objective lens diameter (or diameter of scope-lens cover) that can be used with the scope mount in indicated in the column "Scope outer max. dia.". The larger value can be used with standard-contour barrels, while the smaller number should be used with heavy-barreled models (such as varmint rifles).



Ring type	Tube diameter (d) mm	Mount height (H) mm	Scope outer max. dia. (D) mm	Code
1" XTRA LO	25.4 / 26	Extra Low 28.5	51 . . . 59	S1300923
1" XTRA LO S/S	25.4 / 26	Extra Low 28.5	51 . . . 59	S130R923
1" LO	25.4 / 26	Low 30.5	55 . . . 63	S1300924
1" LO S/S	25.4 / 26	Low 30.5	55 . . . 63	S130R924
1" ME	25.4 / 26	Medium 35.5	65 . . . 73	S1300961
1" ME S/S	25.4 / 26	Medium 35.5	65 . . . 73	S130R961
1" HI	25.4 / 26	High 40.5	75 . . . 83	S1300925
30 mm XTRA LO	30	Extra Low 30.5	55 . . . 63	S1300928
30 mm XTRA LO S/S	30	Extra Low 30.5	55 . . . 63	S130R928
30 mm LO	30	Low 32.5	59 . . . 67	S1300929
30 mm LO S/S	30	Low 32.5	59 . . . 67	S130R929
30 mm ME	30	Medium 36.5	67 . . . 75	S1300964
30 mm ME S/S	30	Medium 36.5	67 . . . 75	S130R964
30 mm HI	30	High 40.5	75 . . . 83	S1300930

# OPTILOCK™ SCOPE MOUNT RINGS FOR SAKO AND TIKKA RIFLES

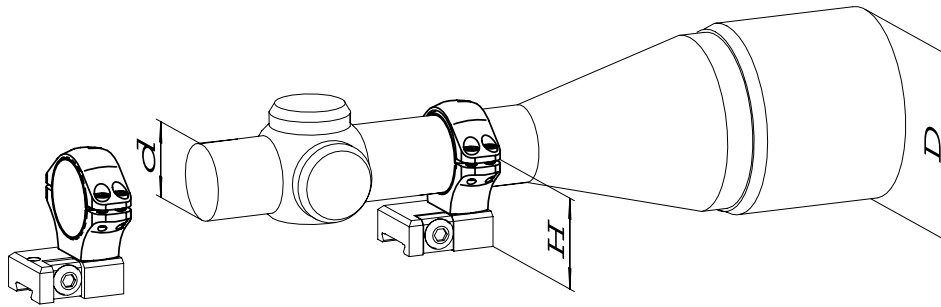
OPTILOCK™ scope mount rings and bases are precisely machined out of solid steel to ensure perfect mating with our integral receiver scope mount rails and optimal scope alignment.

OPTILOCK™ scope mount rings come clamshell-packed in pairs. Hex key included.

OPTILOCK™ scope mount rings are available in two diameters and four heights. Three lowest rings are also available in stainless steel.

OPTILOCK™ scope mount rings feature a patented spherical fastening ring which makes scope mounting considerably easier. This protective sleeve also ensures that the scope body will not be scratched or damaged during mounting.

Appropriate ring height for Sako and Tikka rifles can be determined with the help of the following chart. The maximum scope objective lens diameter (or diameter of scope-lens cover) that can be used with the scope mount in indicated in the column "Scope outer max. dia.". The larger value can be used with standard-contour barrels, while the smaller number should be used with heavy-barreled models (such as varmint rifles).



Ring type	Tube diameter (d)	Mount height (H) in	Scope outer max. dia. (D) in	Code
1" XTRA LO	1 in	Extra Low 1.12	2.00...2.32	S1300923
1" XTRA LO S/S	1 in	Extra Low 1.12	2.00...2.32	S130R923
1" LO	1 in	Low 1.20	2.17...2.48	S1300924
1" LO S/S	1 in	Low 1.20	2.17...2.48	S130R924
1" ME	1 in	Medium 1.40	2.56...2.87	S1300961
1" ME S/S	1 in	Medium 1.40	2.56...2.87	S130R961
1" HI	1 in	High 1.59	2.95...3.27	S1300925
30 mm XTRA LO	30 mm	Extra Low 1.20	2.17...2.48	S1300928
30 mm XTRA LO S/S	30 mm	Extra Low 1.20	2.17...2.48	S130R928
30 mm LO	30 mm	Low 1.28	2.32...2.64	S1300929
30 mm LO S/S	30 mm	Low 1.28	2.32...2.64	S130R929
30 mm ME	30 mm	Medium 1.44	2.64...2.95	S1300964
30 mm ME S/S	30 mm	Medium 1.44	2.64...2.95	S130R964
30 mm HI	30 mm	High 1.59	2.95...3.27	S1300930

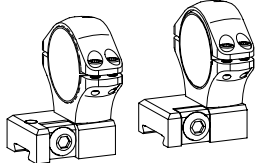
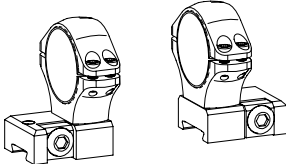
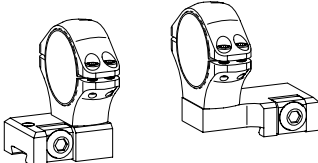
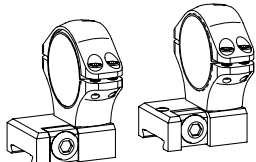
# OPTILOCK™ SCOPE MOUNT BASES FOR SAKO AND TIKKA RIFLES

OPTILOCK™ scope mount rings and bases are precisely machined out of solid steel to ensure perfect mating with our integral receiver scope mount rails and optimal scope alignment.

OPTILOCK™ scope mount bases come clamshell-packed in pairs. All the parts required for assembling bases to receiver and rings to bases are included (plus hex key).

OPTILOCK™ scope mount bases are available in three configurations for Sako rifles and one configuration for Tikka and Sako TRG rifles. All configurations also available in stainless steel.

Choice of appropriate base depends on action length, scope tube length and required eye-relief.

Type	Passed for	Code	
		Blued	Stainless steel
<p style="text-align: center;">SAKO SHORT</p> 	<p style="text-align: center;">L461 / L579 S491 / M591 75 / I - III</p>	S1700956	S170R956
<p style="text-align: center;">SAKO LONG</p> 	<p style="text-align: center;">L61R / L691 M995 / TRG-S 75 / III - V</p>	S1700957	S170R957
<p style="text-align: center;">SAKO EXTENDED</p> 	<p style="text-align: center;">L61R / L691 M995 / TRG-S 75 / IV - V</p>	S1700958	S170R958
<p style="text-align: center;">TIKKA</p> 	<p style="text-align: center;">TIKKA M55/65 TIKKA M558/658 TIKKA M590/690 TIKKA M595/695 SAKO TRG</p>	S1320916	S132R916